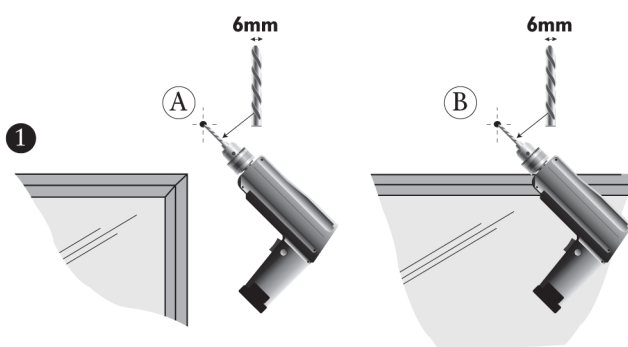


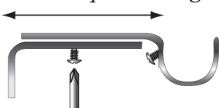
Fixing Instructions



Mark & drill top holes of the support (A) using a 6mm drill bit. On longer length poles mark and drill top hole (B) in the middle for centre support. Fix screw until screw head is approx. 3mm from the wall.

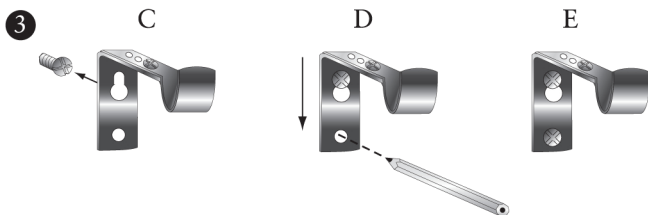
2

Extend to required length



If required, extend support to desired length and fasten securely using the small grub screw.

Practical Tip: Insert the small screw behind the support cup now (figure F), but do not tighten until pole has been positioned.

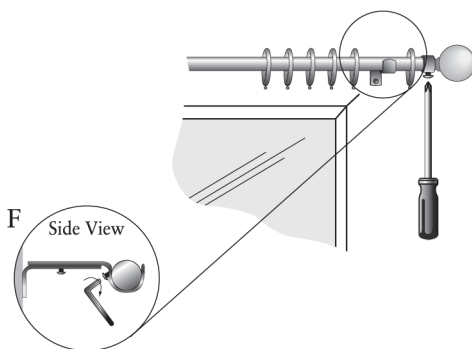


Hook support onto the screw head using the larger key-hole (C).

Slide the support downward into position before marking and drilling the bottom support hole (D).

Tighten both screws to hold support firmly in position (E).

4



Add rings and finials.

Position one ring at each end between the finial and the support, this will act as an end stop.

Place the pole into the supports & tighten the screw behind the support cup (inserted in step 2) to hold the pole firmly in place.

Component parts may vary in style.